

# Product Datasheet

## JUNCTION BOX



Junction Box Bolted Type (Page 2)



Cable TV Box (Page 3)



Cable TV Junction Box (Page 4)



Telephone Box (Page 5)



Telephone Junction Box (Page 6)

GRP Junction Box Enclosures are used for outdoor application with weatherproof and antistatic properties, finding their major application in housing switches, sockets and the associated wiring connections. These enclosures are smaller in size and have an IP rating of IP66. They protect connections carrying electrical current and remove the requirement to run a direct wire from every outlet or switch back to the main service panel. They are primarily used as Cable TV and Telephone boxes which include built-in terminals. They are certified to match specifications in the GCC region, United Kingdom and Europe.

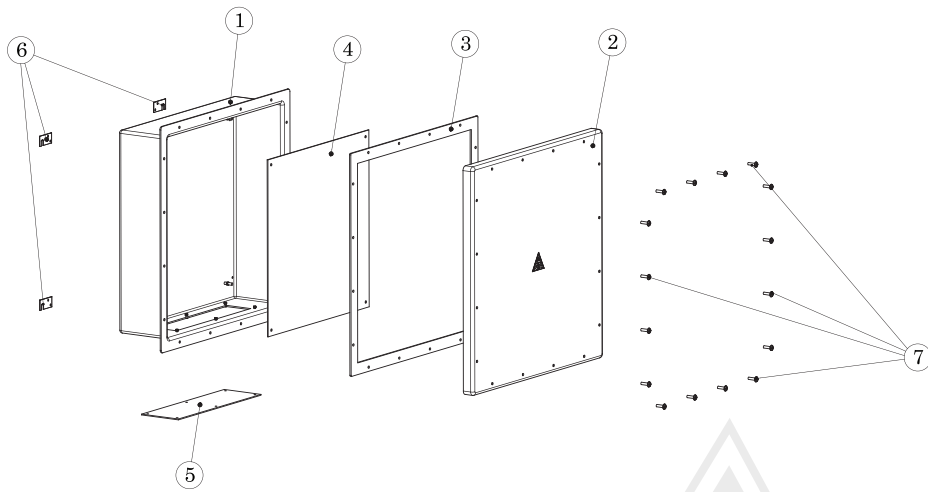
Features	Specifications	Other Options
Ingress Protection	IP 66	IP 65 and lower
Weatherproof	UV resistant - ASTM G154 Certified	
High Impact Resistant	IK8, BS EN 62262-22002 Certified	IK10, Anti-Vandal sandwich construction with encapsulated plywood
Fire Retardant and Self Extinguishing	UL 94, BS 476:Part 7:1997 Class 2 Certified	Higher fire resistance upto Class 0
Anti-Static	IEC-60079-0 Certified	
Wall Thickness	3mm generally and 5mm at stress points	Increased wall thickness
Semi-gloss External Gelcoat Finish	Light grey RAL 7035	Alternate RAL colors available on request refer to RAL Color chart on page 5
Long Life & High Temperature Resistant Rubber Seal	EPDM rubber gasket installed	Please refer page 10
Corrosion Resistant	SS 316 Stainless steel accessories	Please refer page 8
Customizable	Alternate sizes, accessories and options to match required specifications	Please refer page 8



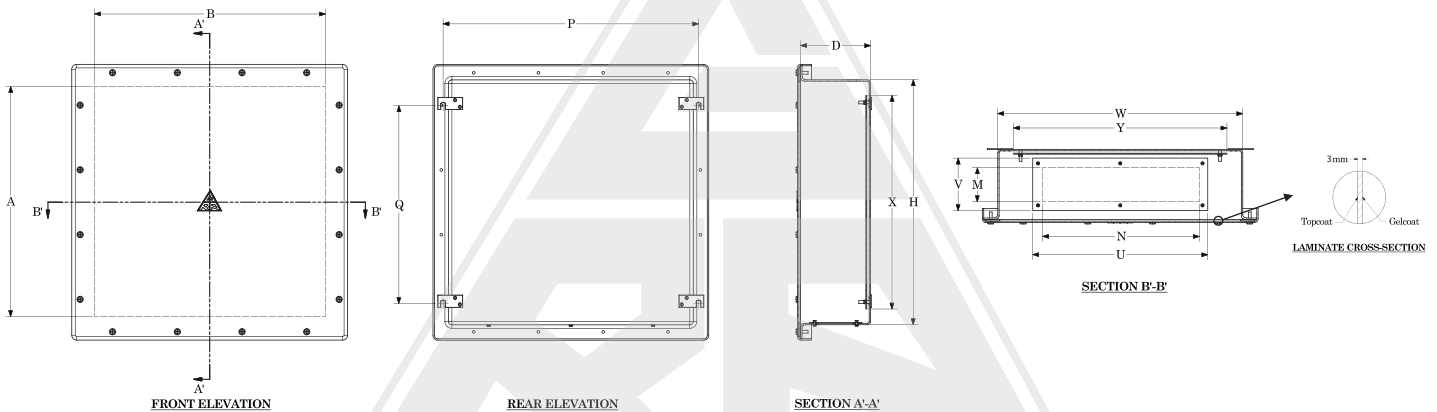
View Our Product Catalogue



# JUNCTION BOX - BOLTED TYPE



1. GRP body
2. GRP cover
3. EPDM gasket
4. G.I mounting plate
5. G.I gland plate
6. SS 316 wall mounting bracket
7. SS 316 screw



## Measurements

### Junction Box Bolted Type

All dimensions in mm

Sl No.	Product Reference	Internal Size			Clear Opening		Mounting Plate Size		Gland Plate Cutout Size		Gland Plate Size		C/C of Wall Brackets		Total Weight (Kg ± 1)*
		H	W	D	A	B	X	Y	N	M	U	V	P	Q	
1	JB 010010006 ii**	100	100	60	95	95	-	-	-	-	-	-	-	140	1
2	JB 012012012 ii**	120	120	120	115	115	-	-	55	55	110	110	-	160	1.5
3	JB 020020012 ii	200	200	120	200	200	180	180	140	55	180	105	130	240	2.5
4	JB 020020015 ii	200	200	150	195	200	180	180	140	85	180	135	130	240	2.75
5	JB 020020020 ii	200	200	200	195	200	180	180	140	140	180	180	130	240	3
6	JB 030020012 ii	300	200	120	300	200	280	170	140	55	180	105	195	240	3.2
7	JB 032029020 ii	320	290	200	320	290	290	250	200	80	250	130	215	330	4
8	JB 045030018 ii	450	300	180	440	290	350	250	200	80	250	130	335	340	5.5
9	JB 045037015 ii	450	370	155	445	360	360	260	250	80	300	130	335	405	6
10	JB 045040020 ii	450	400	200	440	390	410	360	300	80	350	130	335	440	7
11	JB 070070020 ii	700	700	200	690	690	660	660	600	80	650	130	335	740	13

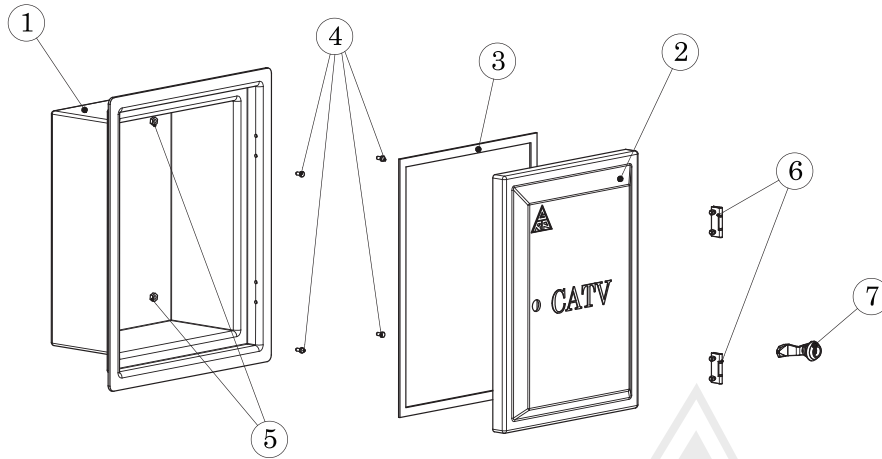
Sizes mentioned are standard sizes. Customized sizes are available, please submit your enquiry online or email us at sales@grpindustries.com

\* All weights mentioned are excluding gland plate and mounting plate

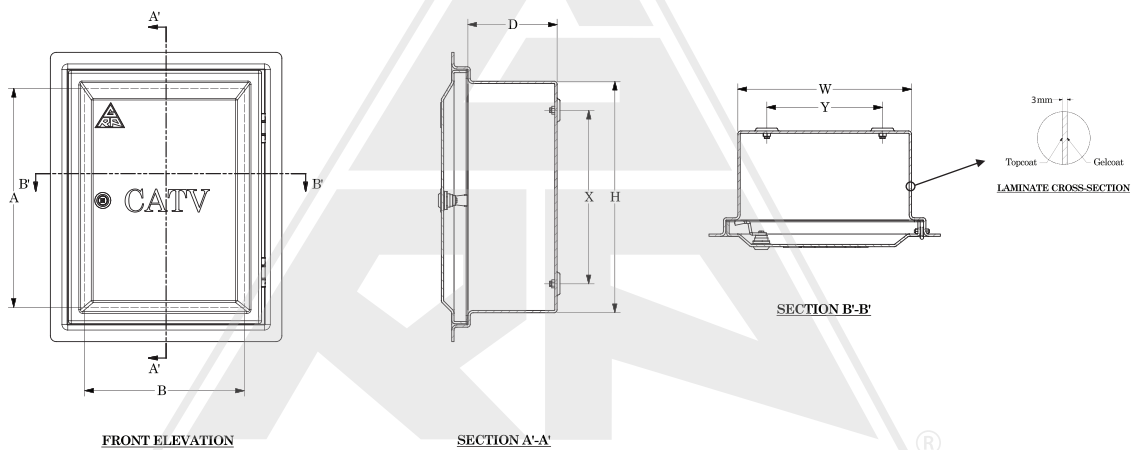
\*\* With Plywood embedding

Disclaimer: GRP Industries reserves the right to modify this document without prior notice

# JUNCTION BOX - CABLE TV BOX



- |                                  |
|----------------------------------|
| 1. GRP body                      |
| 2. GRP door                      |
| 3. EPDM gasket                   |
| 4. G.I Insert bolt               |
| 5. G.I Insert nut                |
| 6. SS 316 butt type hinges       |
| 7. Zinc die cast square key lock |



## Measurements

### Cable TV Box

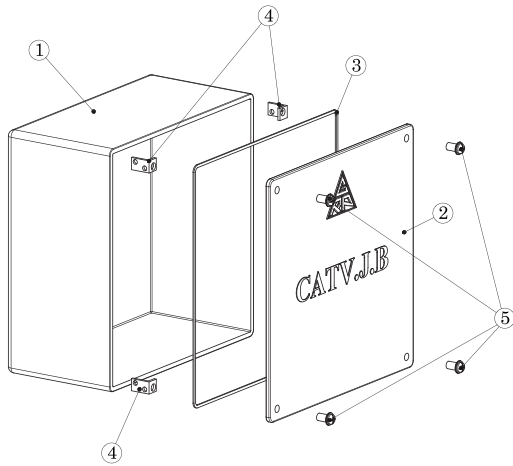
All dimensions in mm

SI No.	Product Reference	Internal Size			Clear Opening		C/C of insert nut		Total Weight (Kg ± 1) *
		H	W	D	A	B	X	Y	
1	CATV 030025015	300	250	150	300	230	240	190	4.5
2	CATV 040030015	400	300	150	400	280	340	240	5.5
3	CATV 060040017	600	400	170	600	370	540	340	8
4	CATV 080060020	800	600	200	800	560	740	150	10

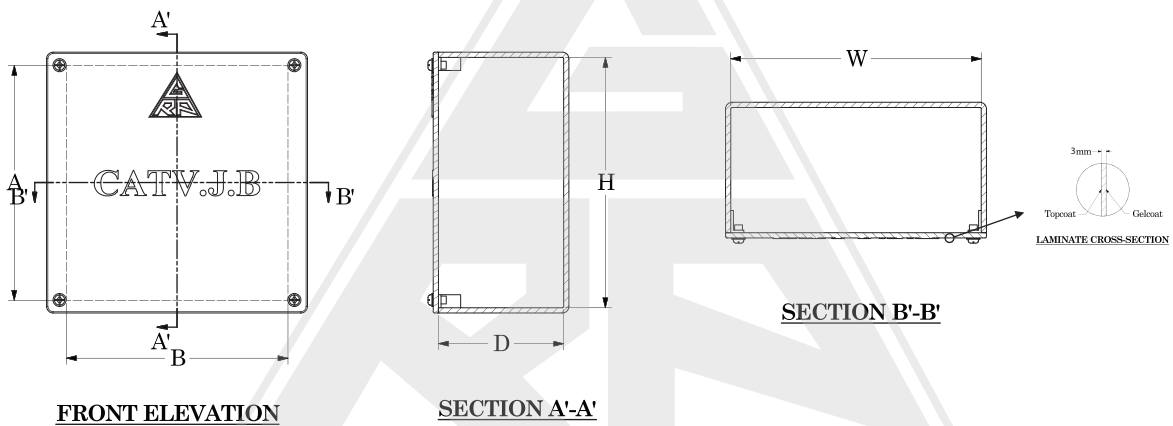
Sizes mentioned are standard sizes. Customized sizes are available, please submit your enquiry online or email us at sales@grpindustries.com

\* All weights mentioned are excluding gland plate and mounting plate

# JUNCTION BOX - CABLE TV JUNCTION BOX



- 1. GRP enclosure body
- 2. GRP cover
- 3. EPDM gasket
- 4. SS 316 Threaded flat bar
- 5. SS 316 screw



## Measurements

### Cable TV Junction Box

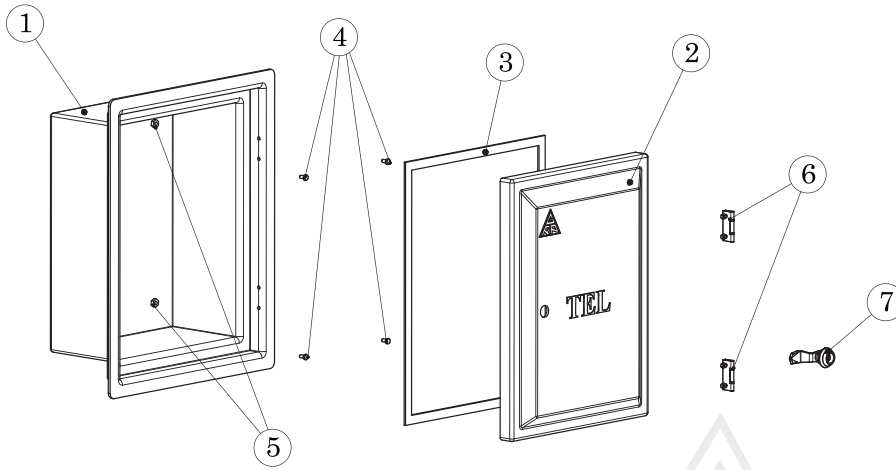
All dimensions in mm

SI No.	Product Reference	Internal Size			Clear Opening		Mounting Plate Size		Total Weight (Kg ± 1)*
		H	W	D	A	B	X	Y	
1	CATV JB 020020010	200	200	100	200	200	180	180	2.5

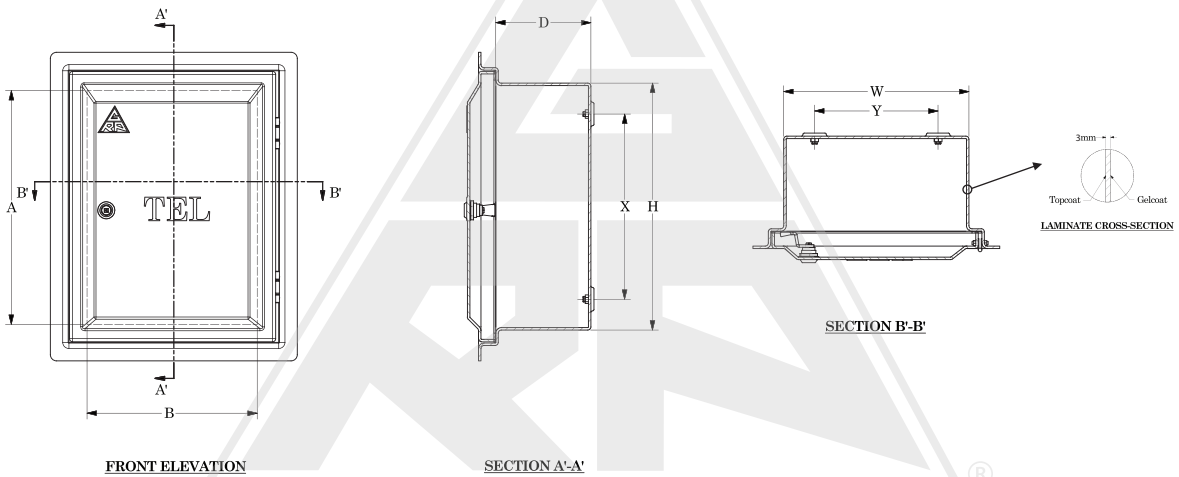
Sizes mentioned are standard sizes. Customized sizes are available, please submit your enquiry online or email us at [sales@grpindustries.com](mailto:sales@grpindustries.com)

\* All weights mentioned are excluding gland plate and mounting plate

# JUNCTION BOX - TELEPHONE BOX



1. GRP body
2. GRP door
3. EPDM gasket
4. G.I Insert bolt
5. G.I Insert nut
6. SS 316 butt type hinges
7. Zinc die cast square key lock



## Measurements

### Telephone Box

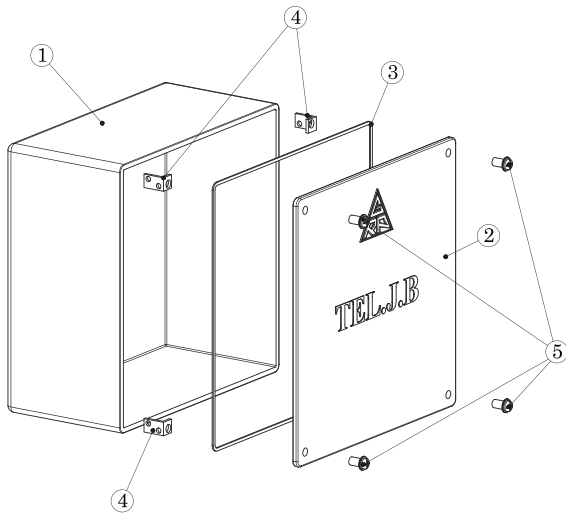
All dimensions in mm

SI No.	Product Reference	Internal Size			Clear Opening		C/C of insert nut		Total Weight (Kg ± 1) *
		H	W	D	A	B	X	Y	
1	TB 030025015	300	250	150	300	230	240	190	4.5
2	TB 040030015	400	300	150	400	280	340	240	5.5
3	TB 060040017	600	400	170	600	370	540	340	8
4	TB 080060020	800	600	200	800	560	740	540	10

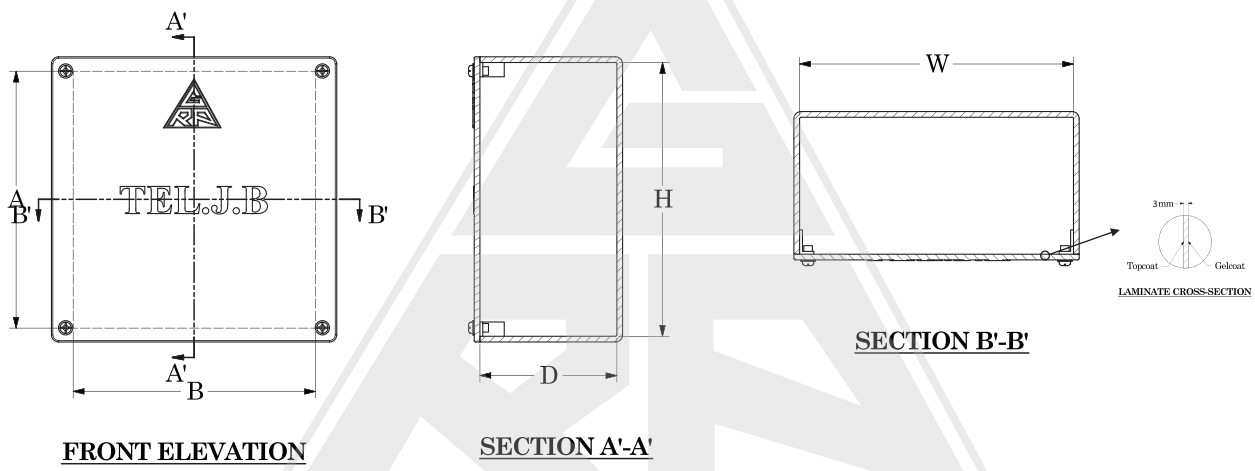
Sizes mentioned are standard sizes. Customized sizes are available, please submit your enquiry online or email us at sales@grpindustries.com

\* All weights mentioned are excluding gland plate and mounting plate

# JUNCTION BOX - TELEPHONE JUNCTION BOX



- 1. GRP enclosure body
- 2. GRP cover
- 3. EPDM gasket
- 4. SS 316 Threaded flat bar
- 5. SS 316 screw



## Measurements

### Telephone Junction Box

All dimensions in mm

Sl No.	Product Reference	Internal Size			Clear Opening		Mounting Plate Size		Total Weight (Kg ± 1)*
		H	W	D	A	B	X	Y	
1	TEL JB 020020010	200	200	100	200	200	180	180	2.5

Sizes mentioned are standard sizes. Customized sizes are available, please submit your enquiry online or email us at sales@grpindustries.com

\* All weights mentioned are excluding gland plate and mounting plate

# JUNCTION BOX

## Material Properties of Glass Reinforced Polyester

- Weather Proof
- Rigid Construction
- Corrosion Resistant
- High Impact Resistant
- Suitable for outdoor use -10°C to +80°C and 100% humidity
- Non absorbent to Hydrocarbons

## Mechanical Data

Titles	Values	Unit	Test Method
Tensile Strength	110 ± 25	Mpa	BS 2782:P10, Method - 1003
Flexural Strength	170 ± 25	Mpa	BS 2782:P10, Method - 1005
Impact Strength	IK8 = 5 joule impact		BSEN 62262:2002 IK8
Tensile Modulus	8000	Mpa	ISO 527-1/2-1993
Flexural Modulus	7000	Mpa	ISO 178-1993
Hardness (Barcol 934-1)	40-45		ASTMD-2583-1987
Tensile Elongation	1.8	% length	ISO 527-1/2-1993
Co-efficient of Thermal Expansion	26 x 10 <sup>-6</sup>	m/°C	
Thermal Conductivity (k)	0.2	W/mK	

## Physical Data

Titles	Values	Unit	Test Method
Water Absorption (7days)	31	mg	BS 2782, Part4: Method 430 A-83
External Finish	Plain semi gloss UV resistant		
Internal Finish	Reasonably smooth flowcoat finish		
Gel Coat Thickness	350-450	microns	
Glass Content	35 ± 5	% weight	BS 2782 P10, Method 1002
Loss on Ignition	65 ± 5	% weight	BS 2782 P10, Method 1002

## Standard Colors

RAL 7035

RAL 9010

RAL 1015

RAL 7032

RAL 3000

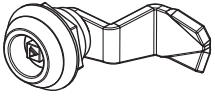
## Other Options Available

RAL 1000	RAL 1001	RAL 1002	RAL 1003	RAL 1004	RAL 1005	RAL 1006	RAL 1007	RAL 7008	RAL 7009
RAL 1011	RAL 1012	RAL 1013	RAL 1014	RAL 1015	RAL 1016	RAL 1017	RAL 1018	RAL 7021	RAL 7022
RAL 1019	RAL 1020	RAL 1021	RAL 1023	RAL 1024	RAL 1027	RAL 1028	RAL 1032	RAL 7033	RAL 7034
RAL 1033	RAL 1034	RAL 1037	RAL 2000	RAL 2001	RAL 2002	RAL 2003	RAL 2004	RAL 7042	RAL 7043
RAL 2008	RAL 2009	RAL 2010	RAL 2011	RAL 2012	RAL 3000	RAL 3001	RAL 3002	RAL 8007	RAL 8008
RAL 3003	RAL 3004	RAL 3005	RAL 3007	RAL 3009	RAL 3011	RAL 3012	RAL 3013	RAL 8019	RAL 8022
RAL 3014	RAL 3015	RAL 3016	RAL 3017	RAL 3018	RAL 3020	RAL 3022	RAL 3027	RAL 9003	RAL 9004
RAL 3031	RAL 4001	RAL 4002	RAL 4003	RAL 4004	RAL 4005	RAL 4006	RAL 4007	RAL 7003	RAL 7004
RAL 4008	RAL 4009	RAL 5000	RAL 5001	RAL 5002	RAL 5003	RAL 5004	RAL 5005	RAL 7012	RAL 7013
RAL 5007	RAL 5008	RAL 5009	RAL 5010	RAL 5011	RAL 5012	RAL 5013	RAL 5014	RAL 7026	RAL 7030
RAL 5015	RAL 5017	RAL 5018	RAL 5019	RAL 5020	RAL 5021	RAL 5022	RAL 5023	RAL 7037	RAL 7038
RAL 5024	RAL 6000	RAL 6001	RAL 6002	RAL 6003	RAL 6004	RAL 6005	RAL 6006	RAL 8001	RAL 8002
RAL 6007	RAL 6008	RAL 6009	RAL 6010	RAL 6011	RAL 6012	RAL 6013	RAL 6014	RAL 8014	RAL 8015
RAL 6015	RAL 6016	RAL 6017	RAL 6018	RAL 6019	RAL 6020	RAL 6021	RAL 6022	RAL 8025	RAL 8028
RAL 6024	RAL 6025	RAL 6026	RAL 6027	RAL 6028	RAL 6029	RAL 6032	RAL 6033	RAL 9011	RAL 9016
RAL 6034	RAL 7000	RAL 7001	RAL 7002	RAL 7003	RAL 7004	RAL 7005	RAL 7006	RAL 7031	RAL 7032
RAL 7010	RAL 7011	RAL 7044	RAL 8000	RAL 9005	RAL 9010	RAL 7031	RAL 7032	RAL 7039	RAL 7040
RAL 7023	RAL 7024	RAL 8011	RAL 8012	RAL 7005	RAL 7006	RAL 7039	RAL 7040	RAL 8003	RAL 8004
RAL 7035	RAL 7036	RAL 8023	RAL 8024	RAL 7015	RAL 7016	RAL 8003	RAL 8004	RAL 8016	RAL 8017
RAL 9017	RAL 9018	RAL 9001	RAL 9002						

# JUNCTION BOX

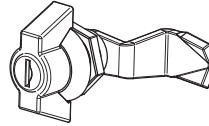
## ACCESSORIES

### Lock Options



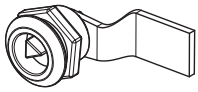
Nickel Chrome Plated Zinc Die Cast  
Nickel Chrome Plated SS 316

SQUARE KEY LOCK



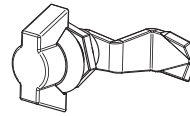
Polyamide with Steel Cylinder

WING TYPE LOCK WITH KEY



Nickel Chrome Plated Zinc Die Cast  
Nickel Chrome Plated SS 316

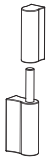
TRIANGULAR KEY LOCK



Polyamide

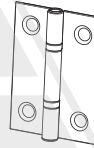
WING TYPE LOCK  
WITHOUT KEY

### Hinges



Zinc Die Cast  
SS 316  
Chrome Plated SS 316

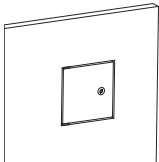
LIFT-OFF TYPE



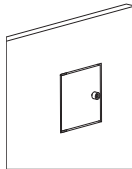
SS 316  
SS 304

BUTT TYPE 2 INCHES

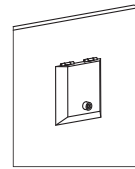
### Shutters



SHUTTER WITH SQUARE  
KEY LOCK

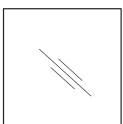


SHUTTER WITH KNOB HANDLE



FLAP SHUTTER

### Glass Windows



GLASS WINDOW

Toughened Glass  
Polycarbonate



GLASS WINDOW WITH GASKET

Toughened Glass  
Polycarbonate

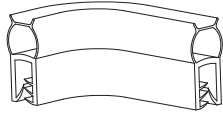


# JUNCTION BOX

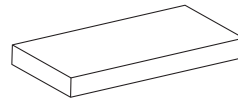
## Gaskets



V TYPE



BULB TYPE

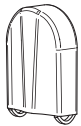


FLAT TYPE



PROFILE TYPE

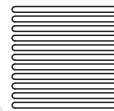
## Ventilators



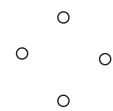
IP 43 VENTILATOR



IP 54 VENTILATOR

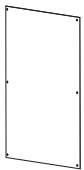


SLOTTED NATURAL VENTILATION



SMALL HOLES NATURAL VENTILATION

## Plates / Mounting Studs



MOUNTING PLATE

- |                               |                            |
|-------------------------------|----------------------------|
| Galvanized Iron Epoxy Painted | Stainless Steel (SS 316 L) |
| Galvanized Iron Powder Coated | Aluminum                   |
| Galvanized Iron               | Brass                      |
| Stainless Steel (SS 304)      | GRP                        |
| Stainless Steel (SS 316)      | Marine Plywood             |



GLAND PLATE

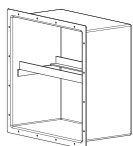
- |                               |                            |
|-------------------------------|----------------------------|
| Galvanized Iron Epoxy Painted | Stainless Steel (SS 316 L) |
| Galvanized Iron Powder Coated | Aluminum                   |
| Galvanized Iron               | Brass                      |
| Stainless Steel (SS 304)      | GRP                        |
| Stainless Steel (SS 316)      |                            |



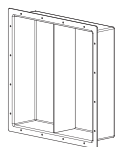
MOUNTING STUD

- Galvanized Iron
- SS 316

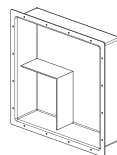
## Partitions and Chambers



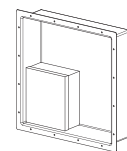
ANGLE RACK



GRP PARTITION



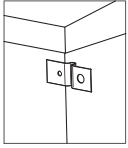
EQUIPMENT CHAMBER



EQUIPMENT CHAMBER WITH LID

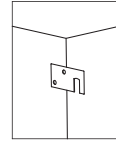
# JUNCTION BOX

## Fixing Arrangements



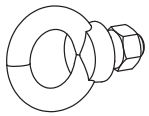
SS 316

STEP TYPE WALL MOUNTING BRACKET



SS 316

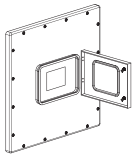
FLAT TYPE WALL MOUNTING BRACKET



SS 316  
Galvanized Iron

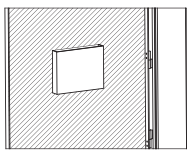
LIFTING HOOK

## Additional Doors

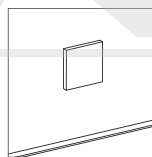


EXTERNAL HINGED DOOR

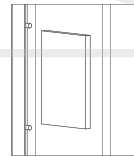
## Miscellaneous Add-ons



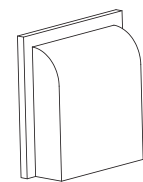
DRAWING POCKET



INTERNAL PADDING



EXTERNAL PADDING

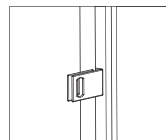


GRP HOOD



SS 316

DRAIN



SS 316  
Aluminium

PAD LOCK